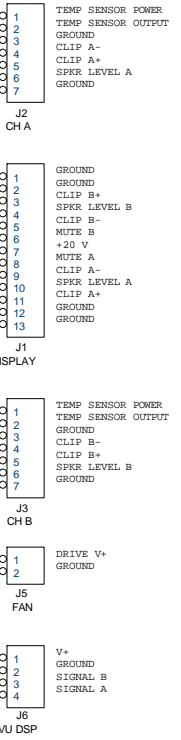
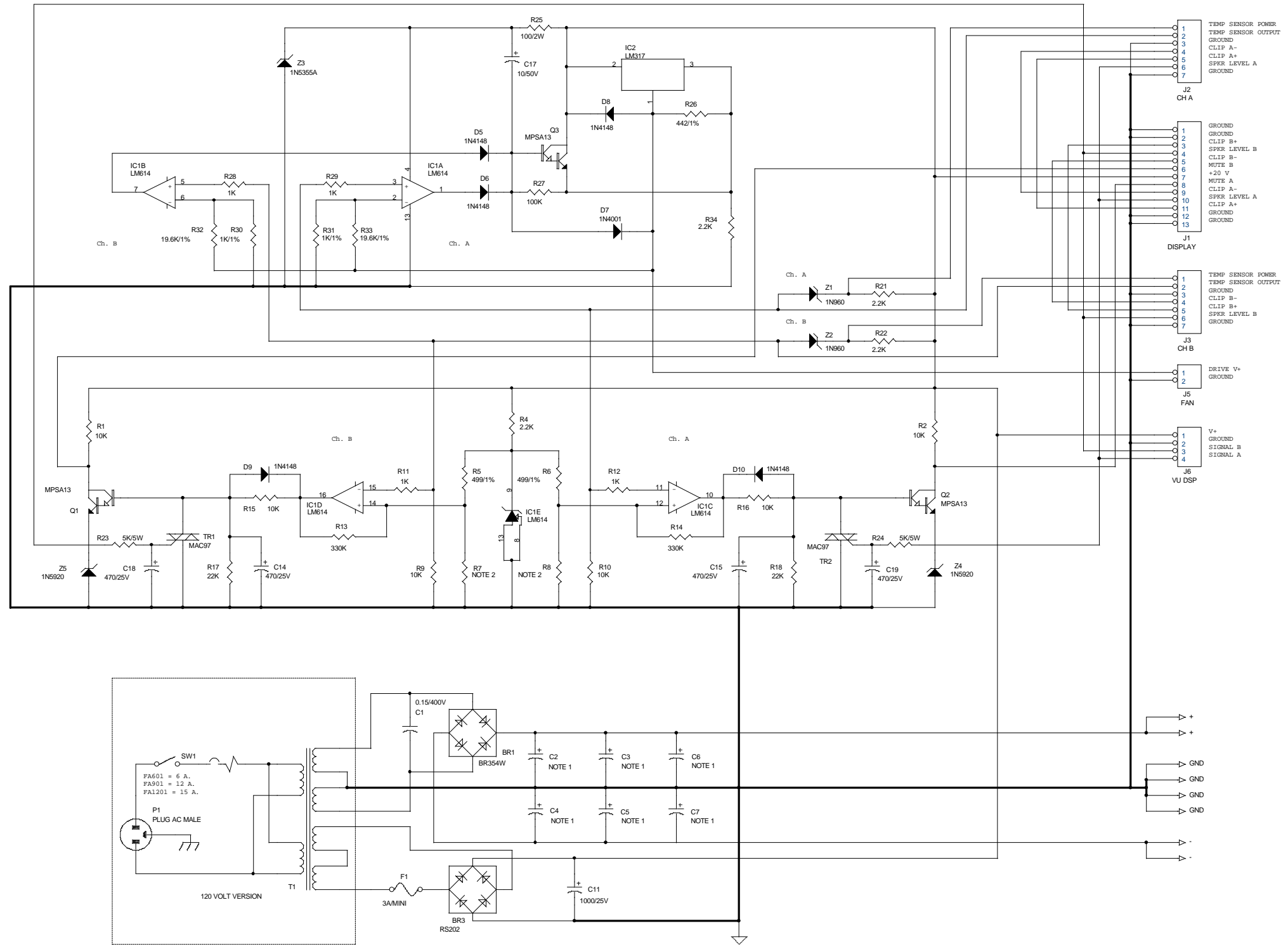


- NOTE 1:
 FA601 = 13.3K/1%
 FA901 = 12.7K/1%
 FA1201 = 12.4K/1%
 FA2401 = 12.4K/1%
- NOTE 2:
 FA601 = 30.1K/1%
 FA901 = 36.5K/1%
 FA1201 = 40.2K/1%
 FA2401 = 44.2K/1%
- NOTE 3:
 FA601 = 680/10W
 FA901 = 820/10W
 FA1201 = 1K/10W

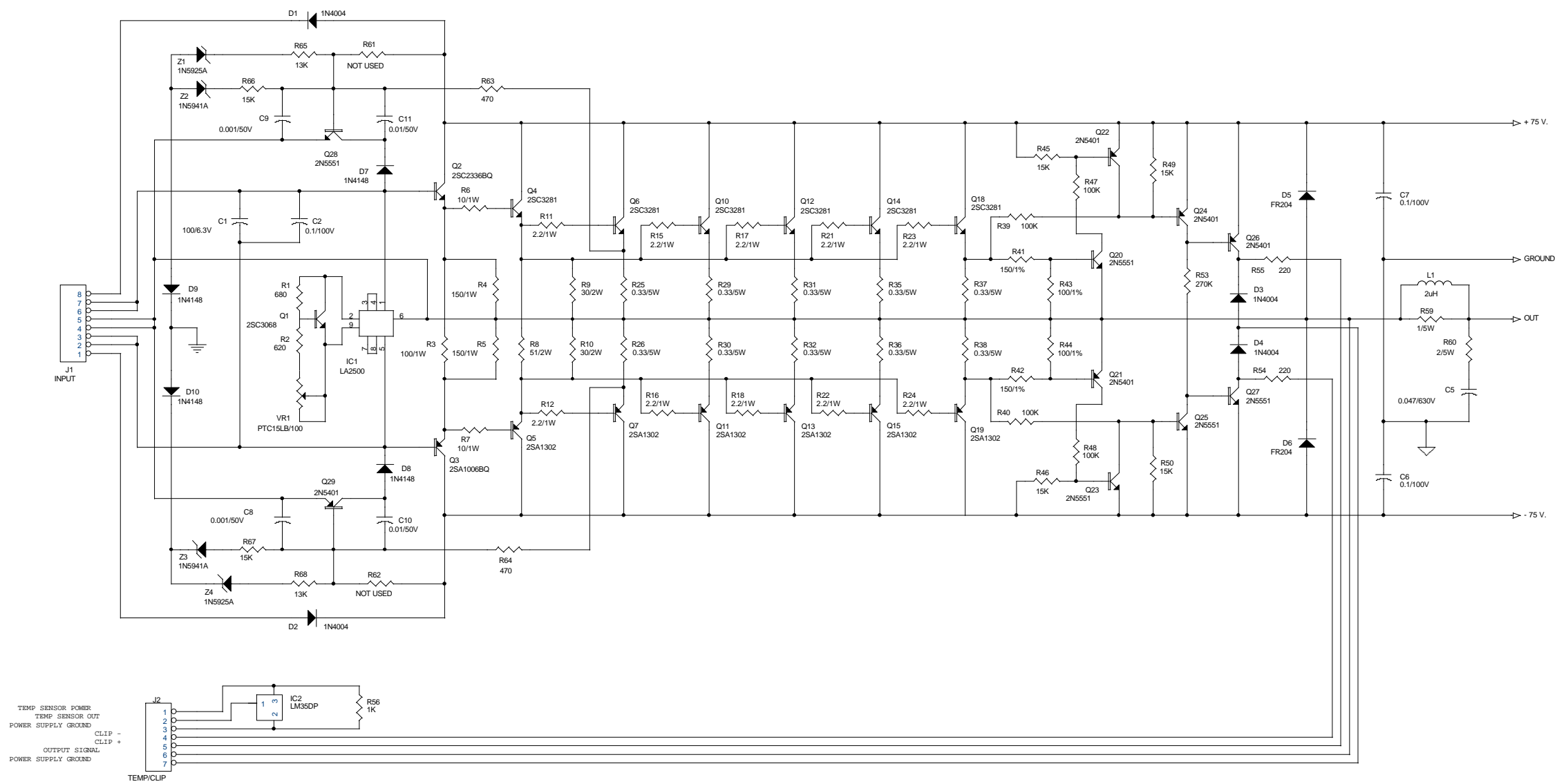
CREST AUDIO INC.
 150 Florence Avenue
 Hawthorne, NJ 07506
 Title
 PREAMP/DRIVER FOR FA SERIES
 Size B Document Number 21B0982 Rev
 Date: Thursday, May 18, 2000 Sheet 1 of 1

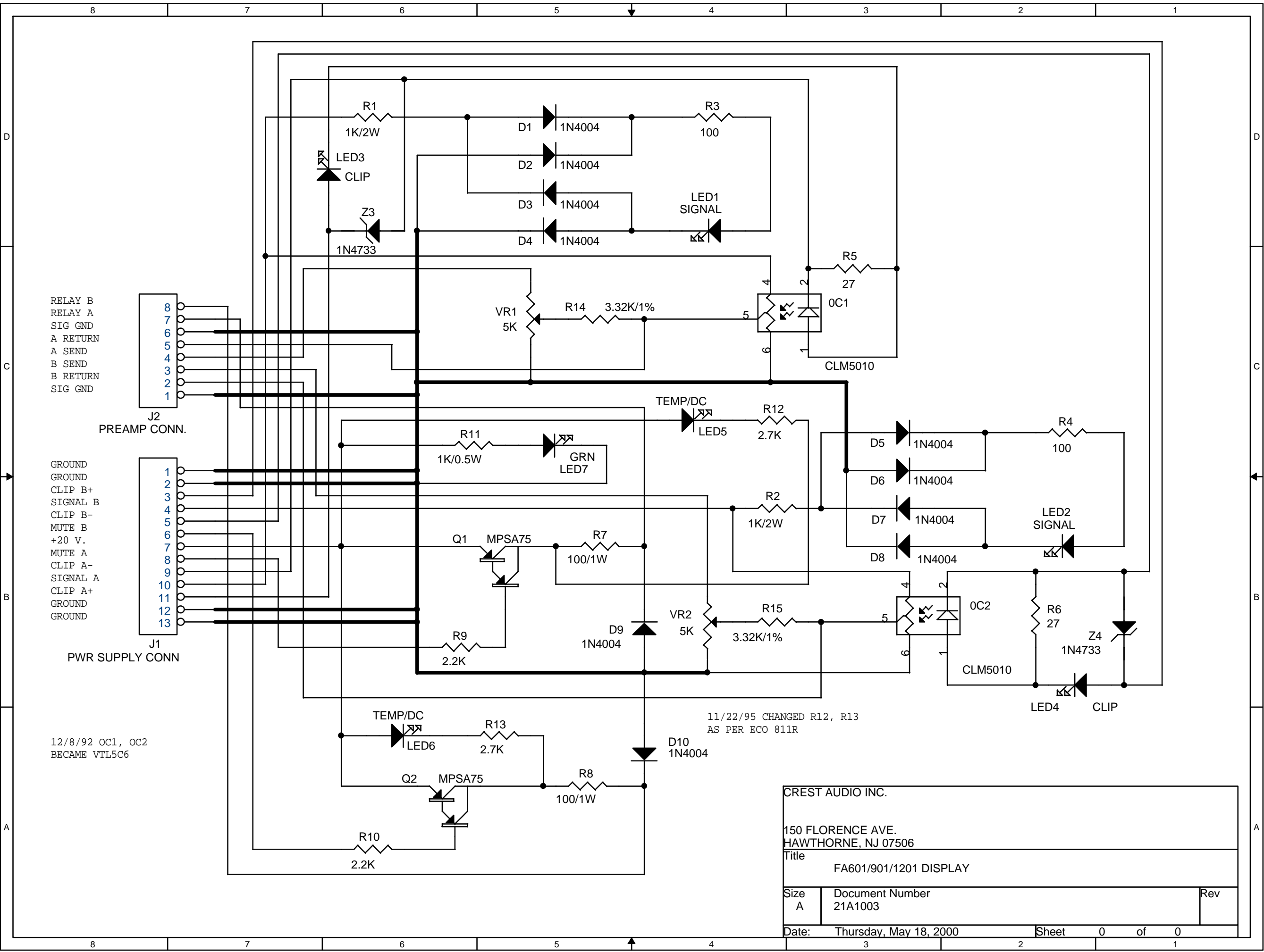


NOTE 1 C2 - C7 ARE 6,800µF/90V ON MODEL FA1201
 C2 - C5 ARE 7,300µF/80V ON MODEL FA901. C6, C7 ARE NOT USED
 C2 & C4 ARE 10,000µF/67V ON MODEL FA601. C3, C5, C6, C7 ARE NOT USED

NOTE 2 R7 & R8 ARE 1K/1% ON MODELS FA901 & FA1201, AND 750/1% ON MODEL FA601

CREST AUDIO INC.
 150 Florence Ave.
 Hawthorne, NJ 07506
 Title FA SERIES POWER SUPPLY/FAN DRIVER
 Size C Document Number 21C0998 Rev 2
 Date: Thursday, May 18, 2000 Sheet 1 of 1





RELAY B
RELAY A
SIG GND
A RETURN
A SEND
B SEND
B RETURN
SIG GND

J2
PREAMP CONN.

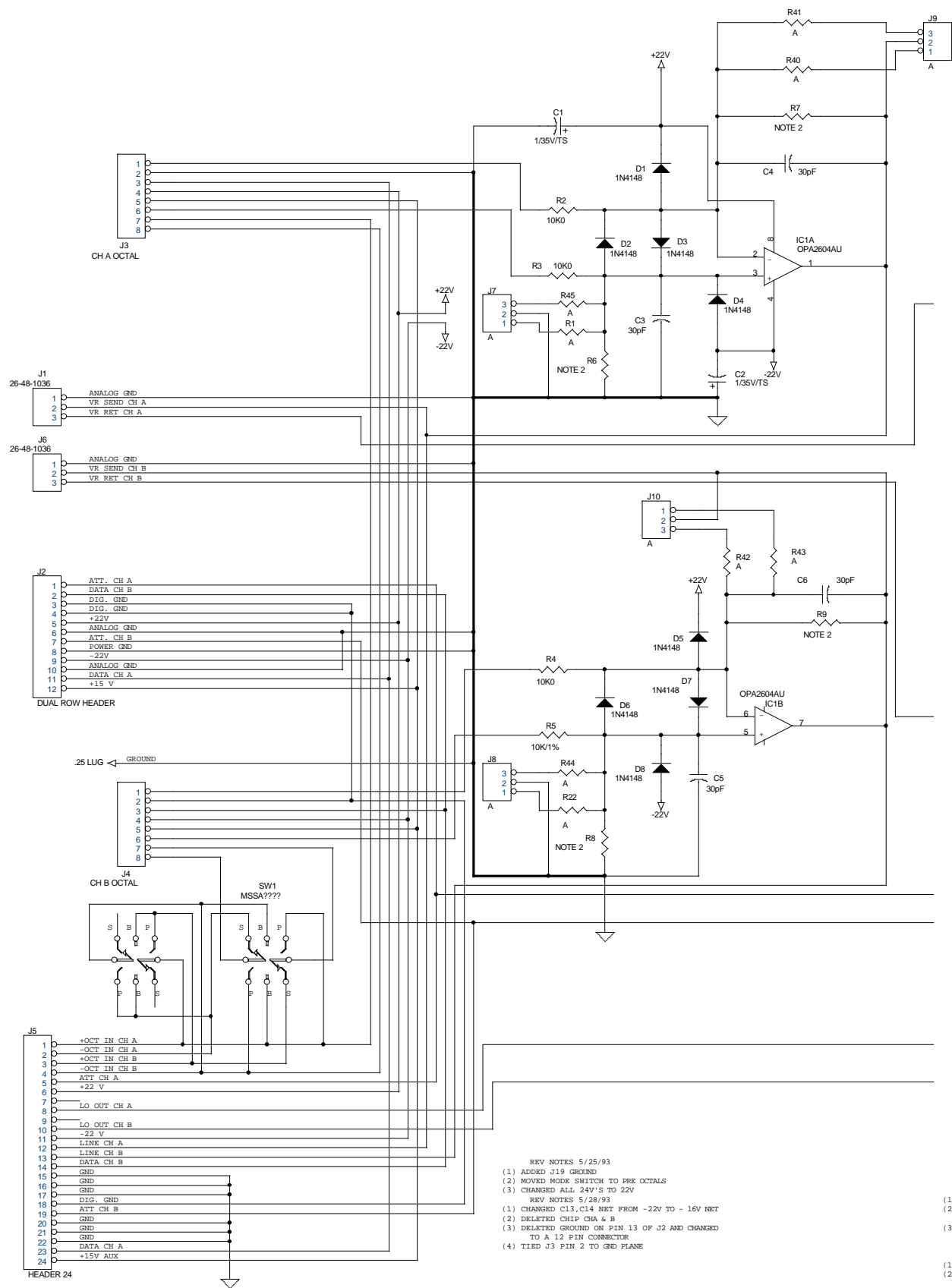
GROUND
GROUND
CLIP B+
SIGNAL B
CLIP B-
MUTE B
+20 V.
MUTE A
CLIP A-
SIGNAL A
CLIP A+
GROUND
GROUND

J1
PWR SUPPLY CONN

12/8/92 OC1, OC2
BECAME VTL5C6

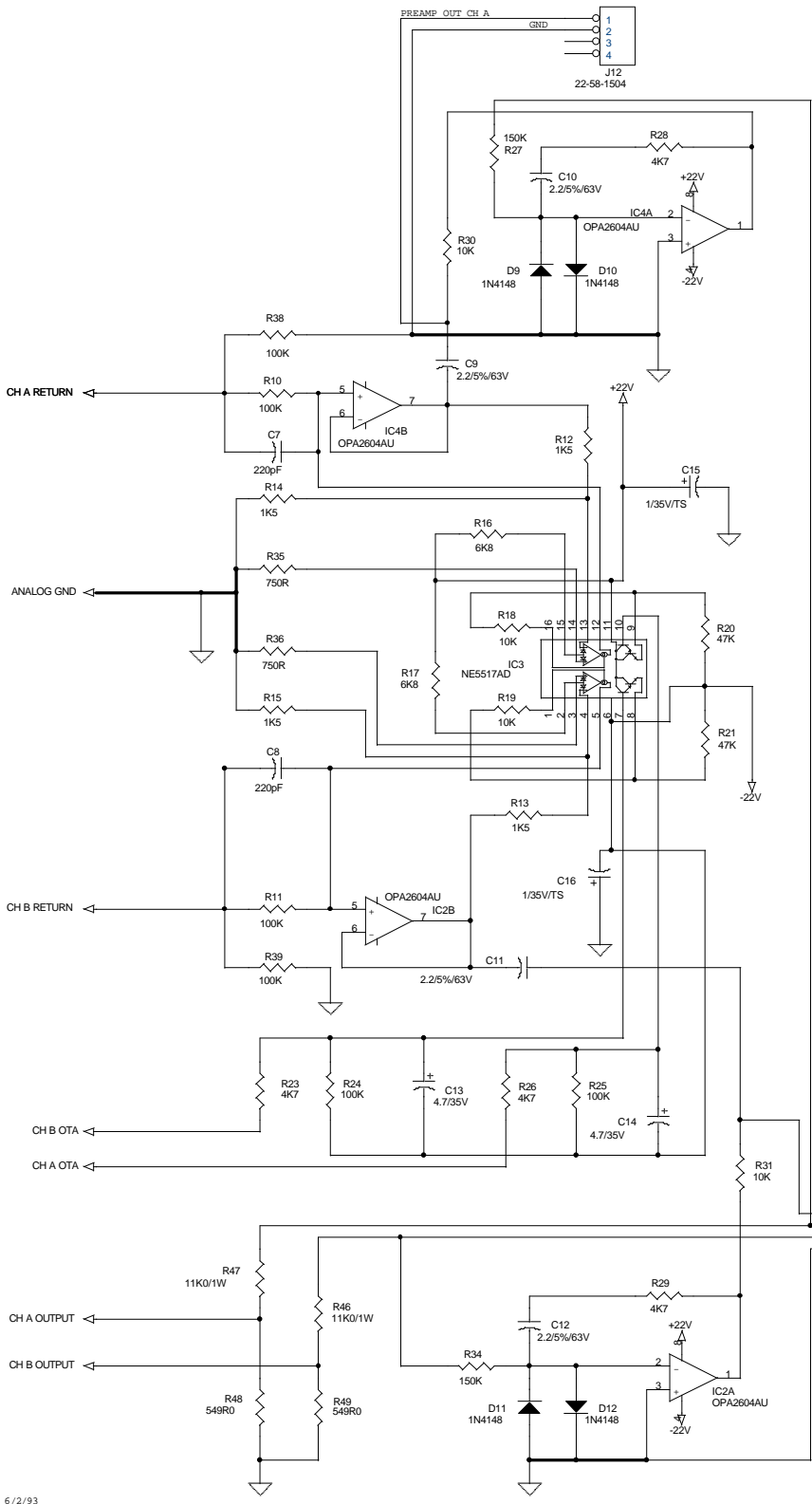
11/22/95 CHANGED R12, R13
AS PER ECO 811R

CREST AUDIO INC.		
150 FLORENCE AVE. HAWTHORNE, NJ 07506		
Title FA601/901/1201 DISPLAY		
Size A	Document Number 21A1003	Rev
Date: Thursday, May 18, 2000	Sheet 0	of 0



REV NOTES 5/25/93
 (1) ADDED J19 GROUND
 (2) MOVED MODE SWITCH TO PRE OCTALS
 (3) CHANGED ALL 24V'S TO 22V

REV NOTES 5/28/93
 (1) CHANGED C13, C14 NET FROM -22V TO -16V NET
 (2) DELETED CHIP CHA & B
 (3) DELETED GROUND ON PIN 13 OF J2 AND CHANGED TO A 12 PIN CONNECTOR
 (4) TIED J3 PIN 2 TO GND PLANE



REV NOTES 6/2/93
 (1) CHANGED CONNECTIONS ON J2 & J5
 (2) REMOVED J10, J11, J13, J15, J16, J17, J18, J19
 ADDED J24 & J25 IN THEIR PLACE
 (3) RE-ANNOTATED REFERENCE DESIGNATIONS

REV NOTES 10/20/93
 (1) SWAPPED AND CORRECTED IC4A INPUT
 (2) DELETED R32, R33

REV NOTES 10/25/93
 (1) CORRECTED POLARITY J5-2 & J5-3

CREST AUDIO INC.
 150 Florence Avenue
 Hawthorne, NJ 07506
 Title FA SERIES OCTAL PREAMP
 Size C Document Number 21C1508
 Date: Thursday, May 18, 2000 Sheet 1 of 1